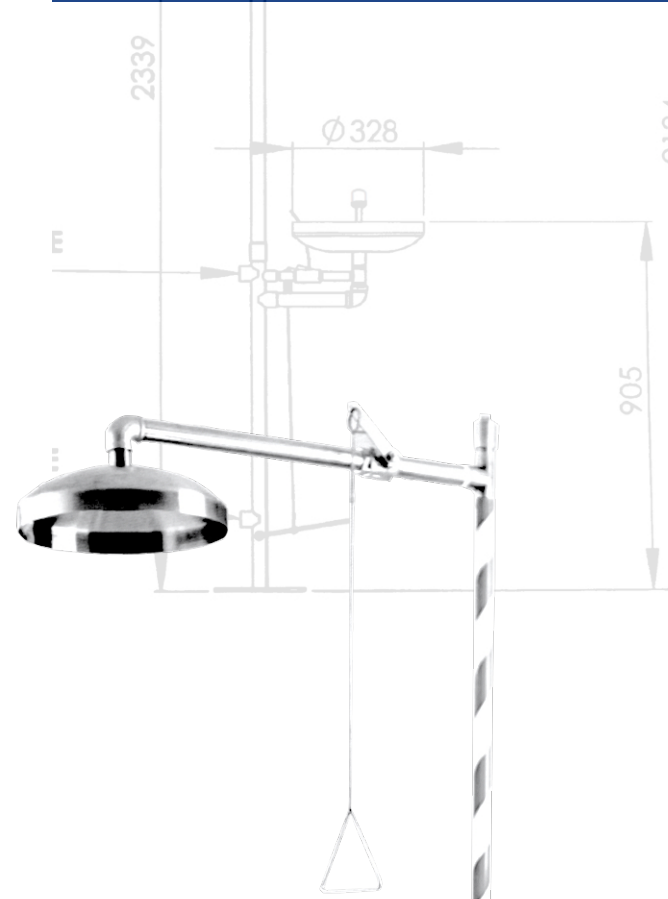
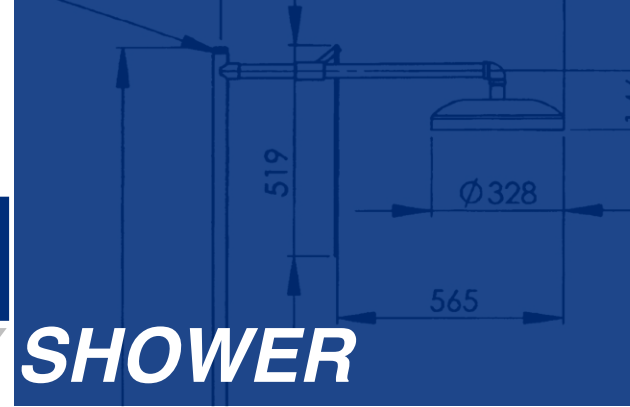


LEVTECH

EMERGENCY SHOWER



LES series

Emergency Shower
Eye Wash



www.levsb.com

LEVTECH

EMERGENCY SHOWER EYE WASH

Introduction

Safety Shower and eyewash give an immediate deluge of water that would dilute and wash away injurious materials, such as corrosive chemical, fire and hot water.

The Emergency Shower was SIRIM approved and certified under ANSI Z358.1-2004- American National Standard for Emergency Eyewash and Shower Equipment. Entire Emergency Shower was made from S304 Stainless Steel and operated by S316 Stainless Steel Ball Valve.

Shower

HEAD

328mm Stainless Steel Head S304

ACTIVATION

Rigid Stainless Steel Pull Rod Operates A Stay Open Stainless Steel S316 Ball Valve

STANDARD

Stainless Steel S304 Pipe with Green and White Strip for High Visibility and Easily Spotted In Emergency Situation

Eyewash

RECEPTOR

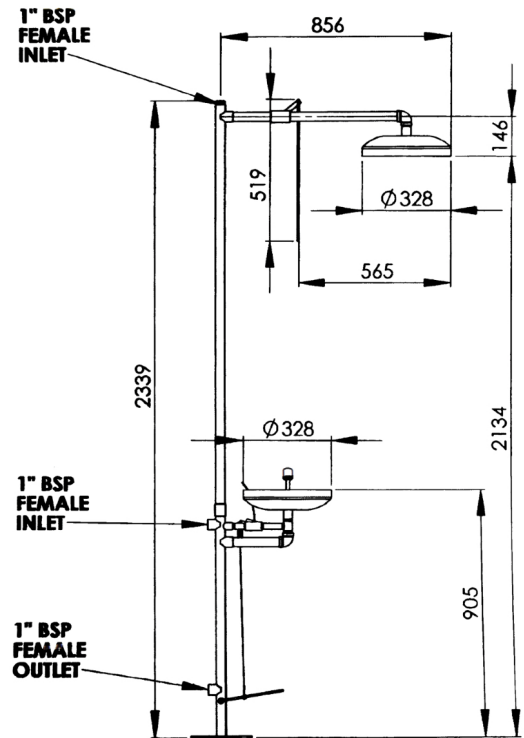
328mm Stainless Steel Bowl S304 with reinforce rib

EYEWASH SPRAYHEAD ASSEMBLY

Stainless Steel S304 with PP sprahead assembly with two soft-flow eyewash head and dust cover. Sprayed have built in filter to prevent particles from the water that may cost damage to the user eyes

ACTIVATION

Stainless Steel push plate and foot pedal operate a stay open S316 stainless steel ball valve

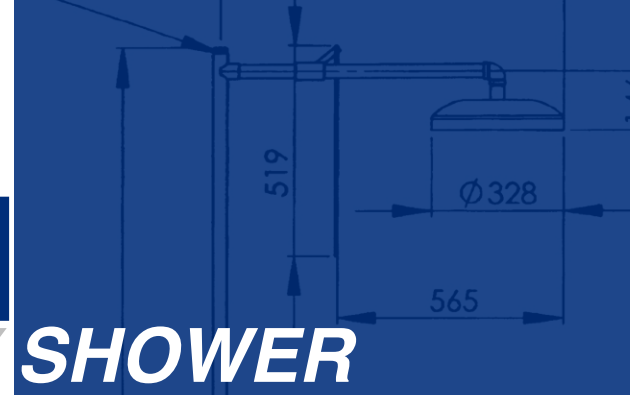


www.levsb.com

**EMERGENCY
SHOWER**

LEVTECH

EMERGENCY SHOWER EYE WASH



Eyewash Bowl

280mm (11") bowl is in matted stainless steel for long lasting use and recommended for outdoor installation.

Eyewash Assembly

Stainless Steel with ABS sprayheads assembly with twin, soft-flow eyewash head and instant flip-open protective dust-cover. The built in automatic pressure safe steady flow under varying water supply conditions. Sprayheads also include a filter to protect user against particles from the water flow which may be damaging to the eye and face.

Control Valve

Stainless Steel 1/2" IPS valve that stays open until manually closed. Control valve is operated by a large, highly visible stainless steel push-plate.

Pipe and Fitting

1/2" Stainless Steel pipe epoxy powder coated

Wall Bracket

Aluminium wall-mounting bracket with 3 mounting holes. (Bolts by others).

Waste

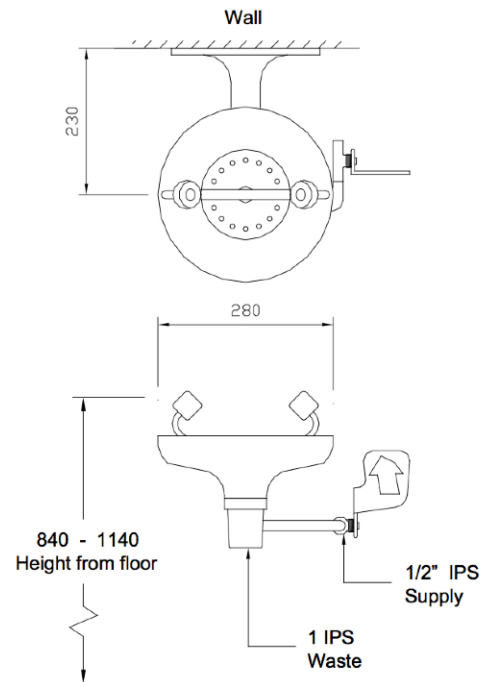
1 1/4" IPS tail piece

Certified

ANSI Z358.1-2004

Pipe Threads

Pipe threads in accordance to BS 21 or DIN 259 are supplied as standards. NPT pipe threads are also available upon request

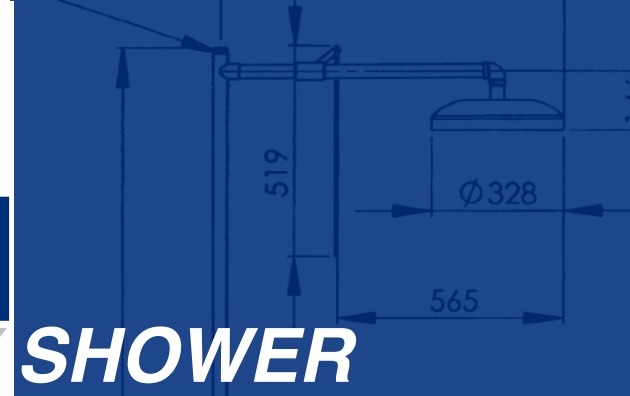


**WALL MOUNTED
EYEWASH**

www.levsb.com

LEVTECH

EMERGENCY SHOWER
EYE WASH



Eyewash Assembly

Aerated self-flow sprayhead gives a soft spray for cleansing of eyes and face. Unit also includes protective sprayhead cover.

Built in compensating pressure valve for steady water flow under varying supply conditions. Sprayhead also includes a filter to protect users against particles from the water flow which may be damaging to the eyes and face.

Control Valve

Stainless Steel 1/2" IPS valve that stays open valve when handles squeezed

Drench Hose

180mm (6 feet) of PVC braided hose of yellow colour with 1/2" connection. (Stainless Steel wire braided hose available upon request)

Water Supply

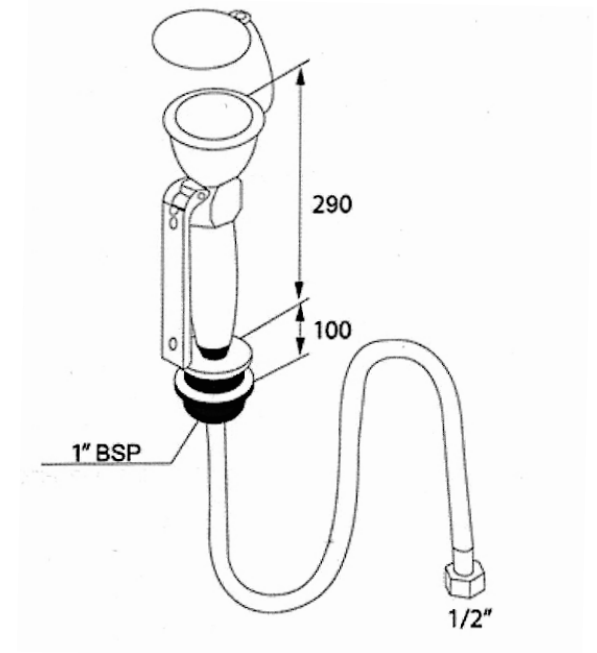
1/2" IPS

Certified

ANSI Z358.1-2004

Pipe Threads

Pipe threads in accordance to BS 21 or DIN 259 are supplied as standards. NPT pipe threads are also available upon request

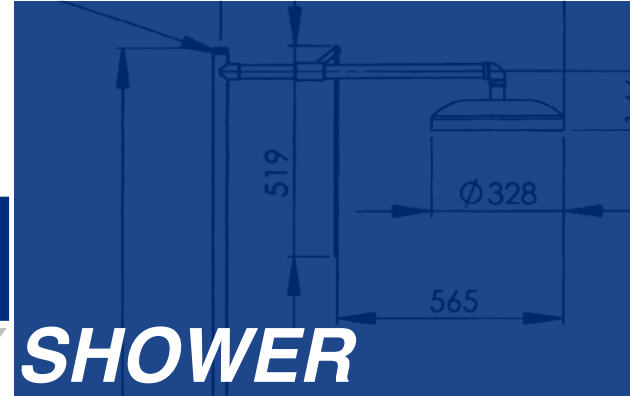


**HAND HELD
EYEWASH**

www.levsb.com

LEVTECH

EMERGENCY SHOWER
EYE WASH



Other Product & Services Available

Chemical Resistant Centrifugal Fan
Wash Demist (Fume Scrubber System)
Chemical Resistant Plumbing System
Laboratory Furniture System
Modified Epoxy Polyester Resin Worktop
Phenolic Resin Worktop
Laboratory Gas and Water Fittings
Emergency/Eye Shower System
Fumecupboard Repair and Maintenance Services
Laboratory Design Consultancy
Hygiene Industrial II Inspection
Local Exhaust Ventilation System Inspection

LEVTECH SDN. BHD. (760493-M)

No. 18, Lorong Idaman 2/6,
Taman Idaman,
14100 Simpang Ampat (S.P.S)
Pulau Pinang, Malaysia.
Tel / Fax : 04 - 240 8151
Email : fikri_levtech@yahoo.com.my
Mohamad Fikri B. Mohamad Ariff (H/p : 017 - 660 3151)
www.levsb.com
GST No : 000095789056

www.levsb.com