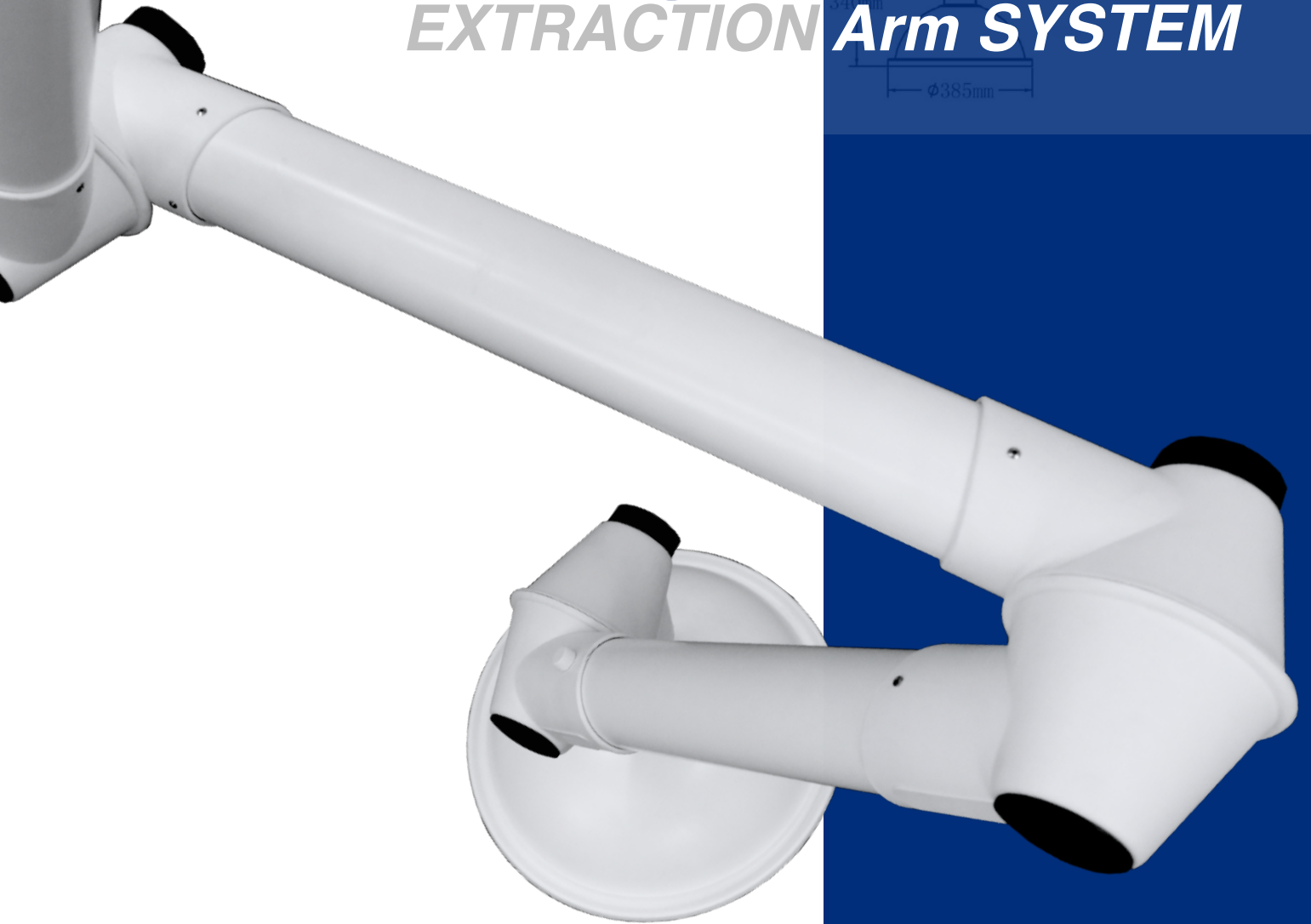
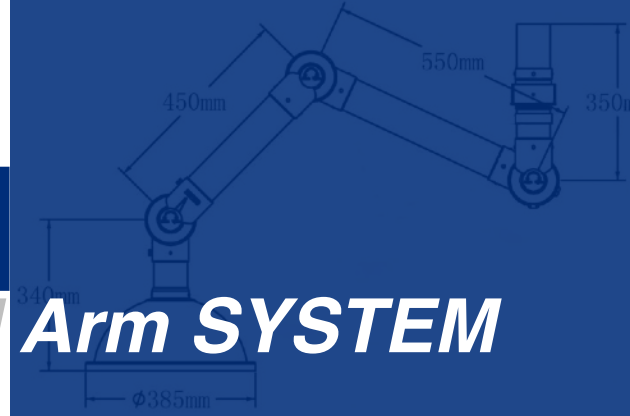


LEVTECH

EXTRACTION Arm SYSTEM



LEAS series

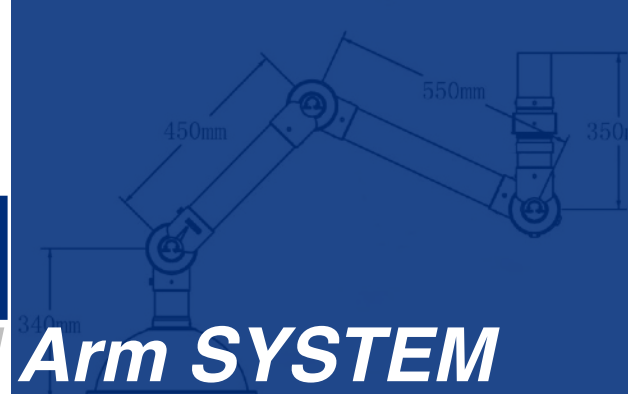
Extraction Arm System



www.levtechsb.com

LEVTECH

EXTRACTION Arm SYSTEM



Introduction

The Chemical resistant extraction arms are for the use in aggressive working environments with special demands to chemical resistance as a result for the work of removing.

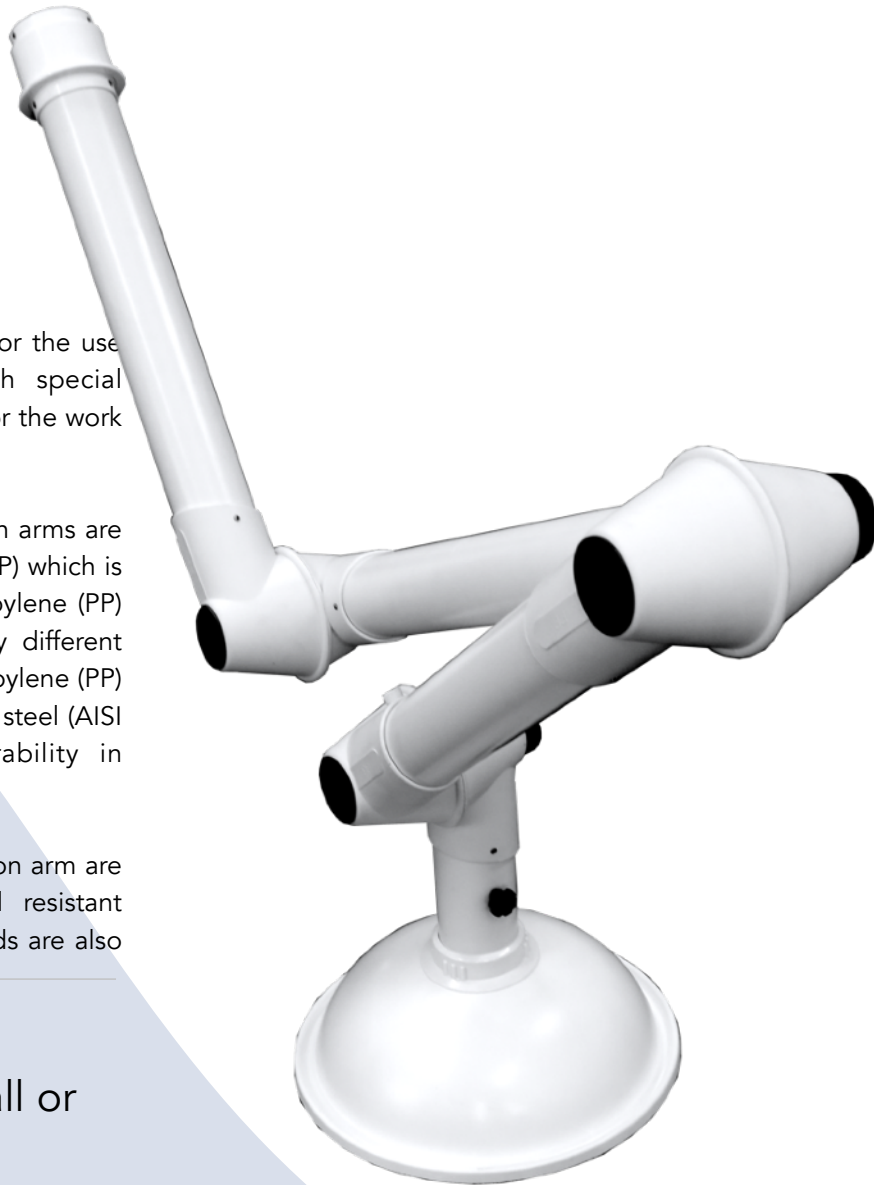
The pipes of the chemical resistant extraction arms are made of white shatterproof polypropylene (PP) which is the same material as for the joints. Polypropylene (PP) is a very resistant plastic resistant to many different aggressive chemicals. The pipes are polypropylene (PP) and the inner part are of acid-proof stainless steel (AISI 316L) providing this material long durability in aggressive working environments.

The hoods for the chemical resistant extraction arm are with a sub pipe also made of chemical resistant polypropylene (PP). The material of the hoods are also polypropylene (PP).

Design - for mounting on wall or ceiling

- Working range 760 - 1500 mm
- Recommended air flow 60 to 120 m³/h
- Diameter of tube ø75mm
- Joints with one-hand-operation
- Color of joint, white
- All O-ring maintenance free
- Integrated valve
- All threaded stays, spring and thumbscrews made of acid-proof stainless steel (AISI 316L)
- All rivets made of chemical resistant polypropylene (PP) for increased durability in aggressive environments

www.levtechsb.com

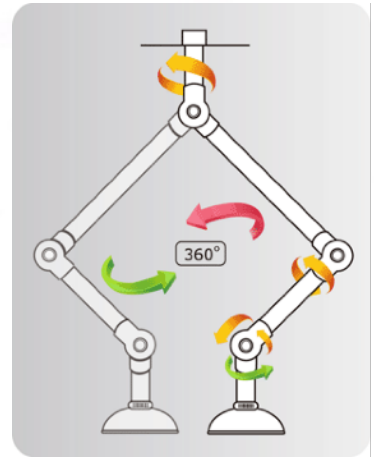
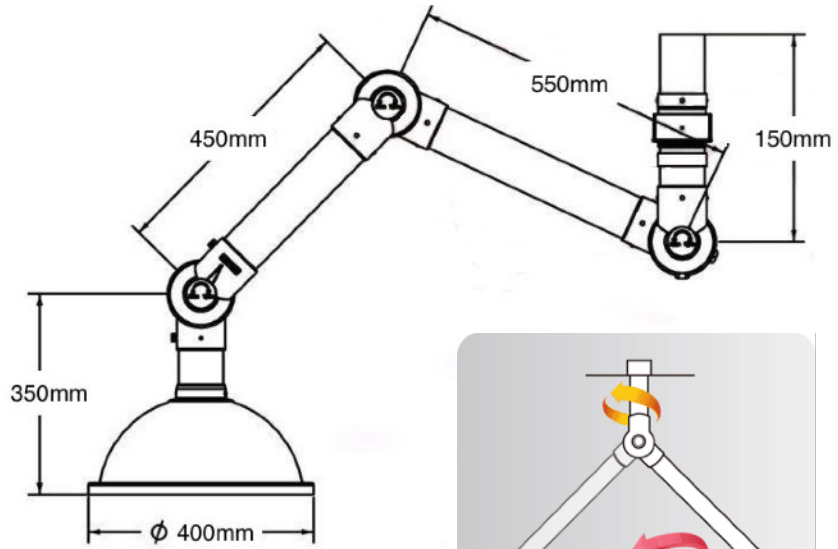
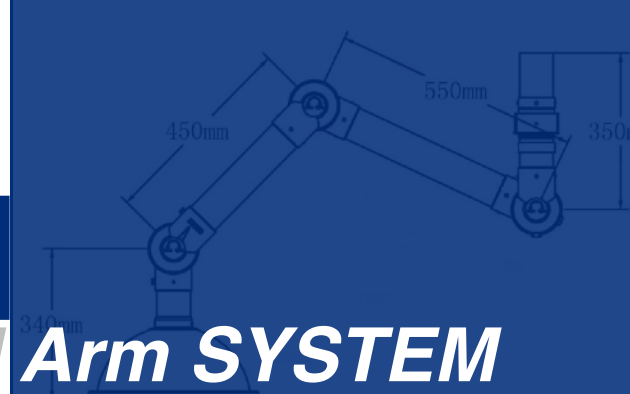


EXTRACTION ARM SYSTEM



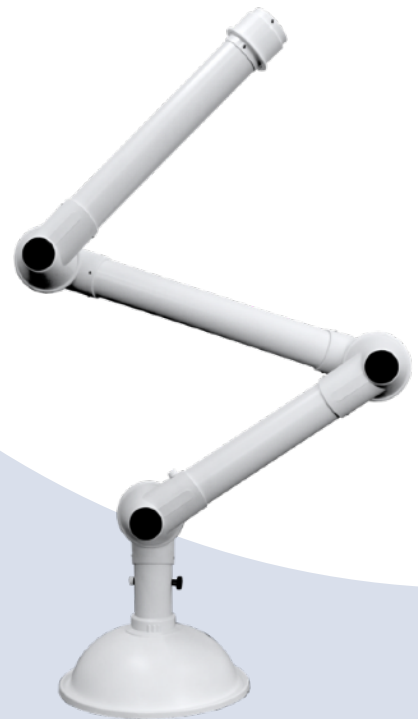
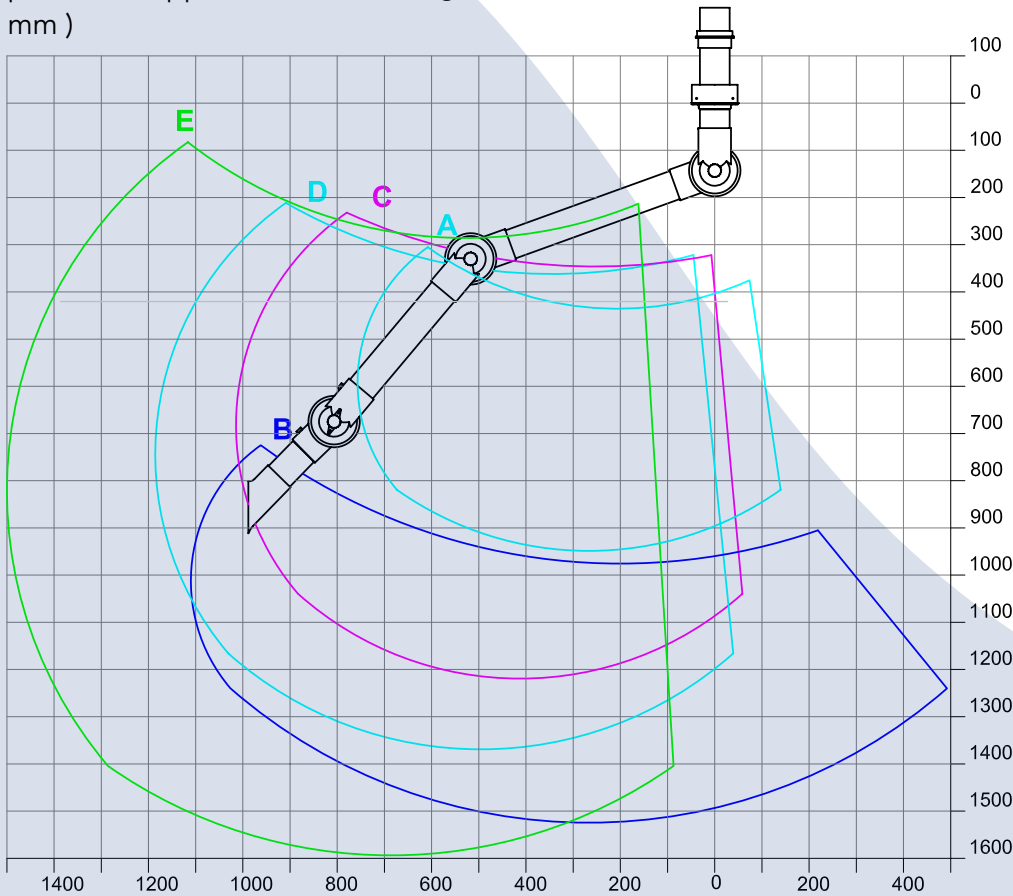
LEVTECH

EXTRACTION Arm SYSTEM



Working Area

We do not recommend a stationary working position is upper or lower working area (All unit in mm)

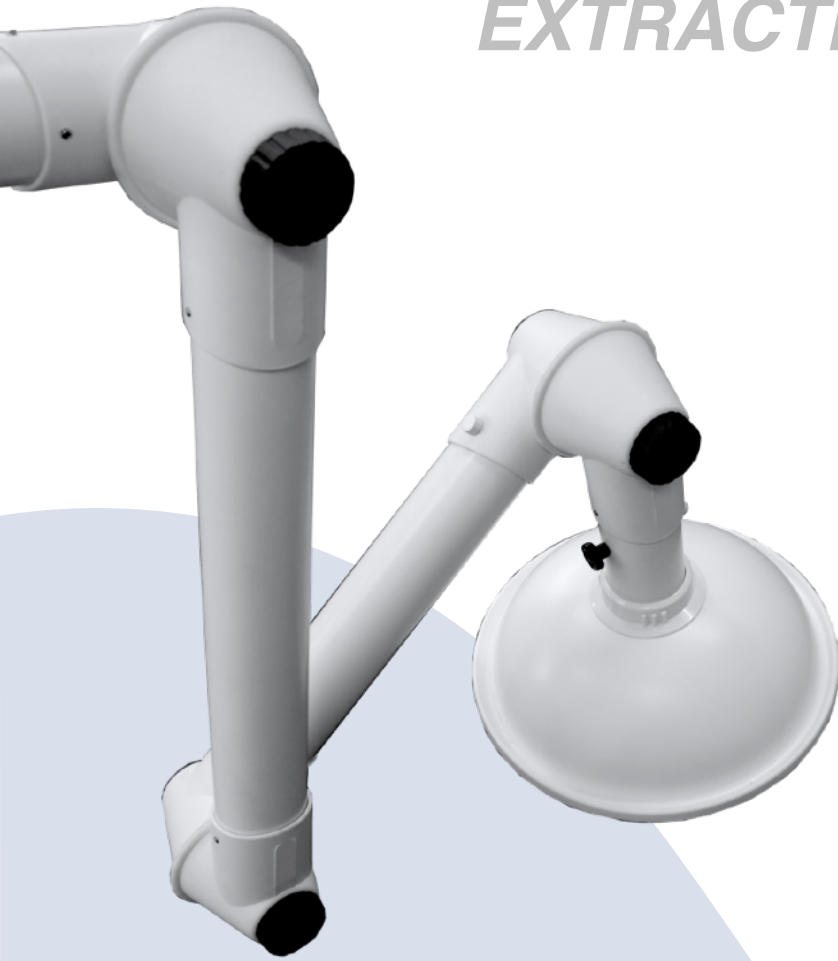


www.levtechsb.com

EXTRACTION
ARM SYSTEM

LEVTECH

EXTRACTION **Arm SYSTEM**



Other Product & Services Available

LEVTECH SDN. BHD. (760493-M)

No. 18, Lorong Idaman 2/6,
Taman Idaman,
14100 Simpang Ampat (S.P.S)
Pulau Pinang, Malaysia.
Tel / Fax : 04 - 240 8151
Email : fikri_levtech@yahoo.com.my
Mohamad Fikri B. Mohamad Ariff (H/p : 017 - 660 3151)
www.levtechsb.com
GST No : 000095789056

www.levtechsb.com

*Chemical Resistant Centrifugal Fan
Wash Demist (Fume Scrubber System)
Chemical Resistant Plumbing System
Laboratory Furniture System
Modified Epoxy Polyester Resin Worktop
Phenolic Resin Worktop
Laboratory Gas and Water Fittings
Emergency/Eye Shower System
Fumecupboard Repair and Maintenance
Services
Laboratory Design Consultancy
Hygiene Industrial II Inspection
Local Exhaust Ventilation System Inspection*