

# LEVTECH

*CENTRIFUGAL FAN*

*High Efficiency Chemical  
Resistant Centrifugal Fan*



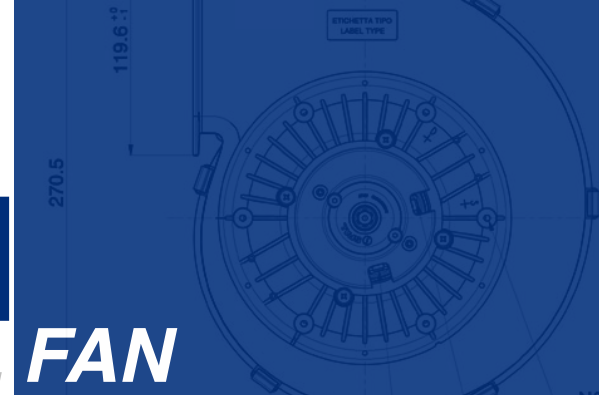
## *LCF series*

*Model LVT 200-250  
Model LVT 200-280  
Model LVT 250-280*

[www.levsb.com](http://www.levsb.com)

# LEVTECH

## CENTRIFUGAL FAN

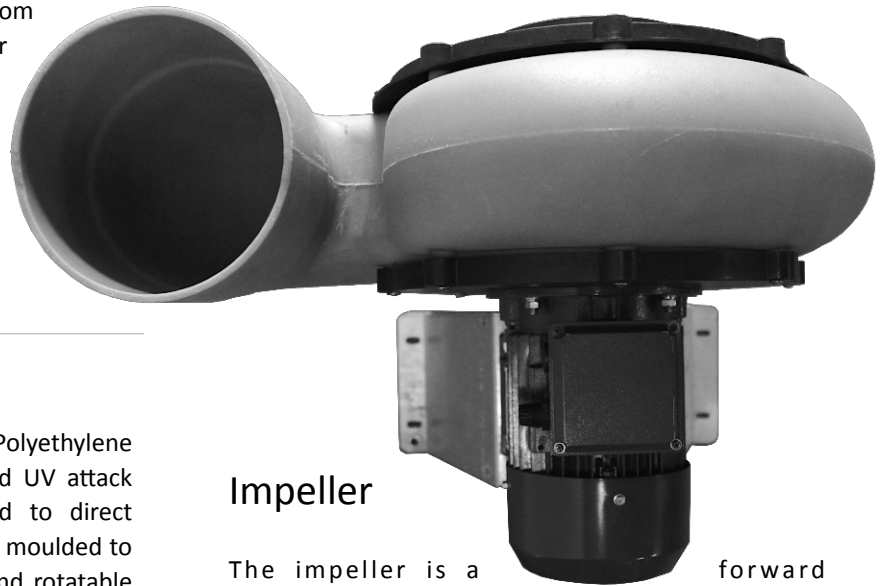


### Introduction

The LEVTECH centrifugal fan is constructed from corrosion-resistant materials and designed for duct mounting, provide utmost reliability wherever dust, fumes, contaminated air, toxic or corrosive gases are to be handled, have a low noise level and are easily maintained. An integrated extraction system is an essential component of a Fume Cupboard Management System.

### Housing

Housing shall be constructed of High Density Polyethylene (PE) for corrosion resistance and able to stand UV attack when fan was installed outdoor or exposed to direct sunlight for long period. Housing was one piece moulded to completely avoid leaking. Housing reversible and rotatable to any of the 8 standard discharge position.



### Impeller

The impeller is a forward curved multi-blade one piece injection moulded by Polypropylene (PP) incorporating a steel reinforced hub. The design ensure that there is no contact in between corrosive gases and the steel shaft or impeller hub.

### Motor

The standard motor fitted is a TEFC foot cum flange B35 motor, class F, IP55, 415/3/50Hz. Motor weather cowl to be provided for outdoor installation. Standard fan is direct drive. The motor rating is matched to airflow requirement, drive speed of 1400 rpm or 2800 rpm.

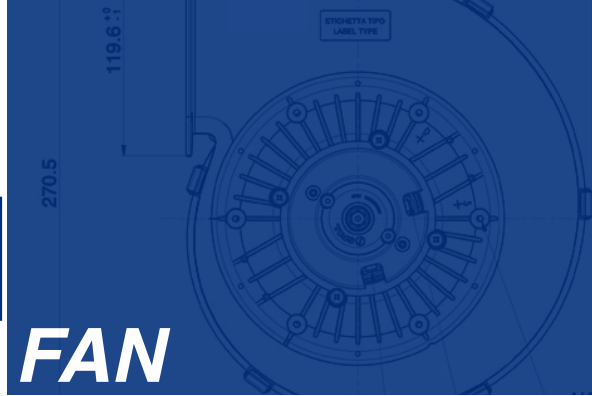


[www.levsb.com](http://www.levsb.com)

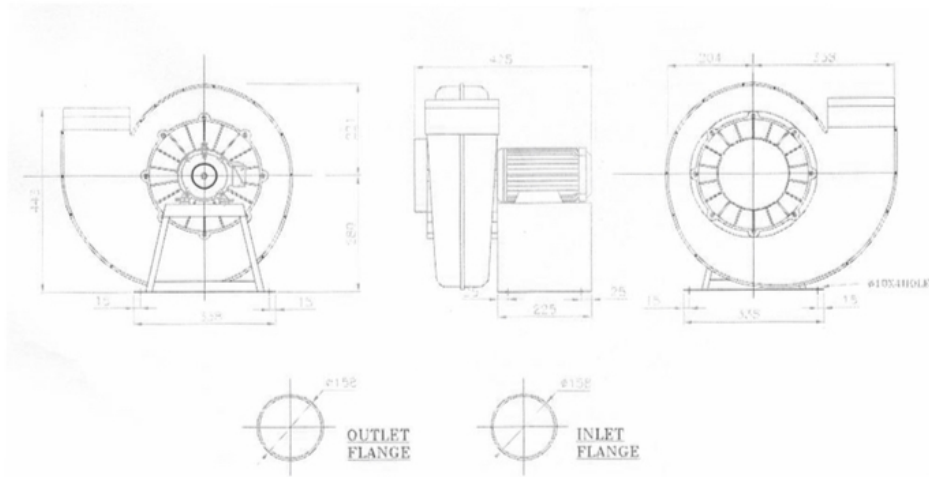
CENTRIFUGAL  
FAN

# LEVTECH

## CENTRIFUGAL FAN



### LEVTECH FAN DATA SHEET



CONSTRUCTION			
CASING	IMPELLER	FRAME	SHAFT
FRP	PP	M. STEEL	-
COATING :		-	

**LVT 200-250**

PERFORMANCE	
Capacity : 1000 cfm	ELEV : Sea Level
Static Pressure : 1.5" w.g	DIR : Top Horizontal
OPRPM : 1390	Running Amp :
Rotation : CW 360	
Temp : Ambient	

MOTOR	
MODEL	: MS802-4
SPEED	: 1400
RATED HP/AMP	: 1.5kw / 2.01~1.84 A
CLASS	F / 1P 55
POWER SUPPLY	415 / 3 / 50Hz

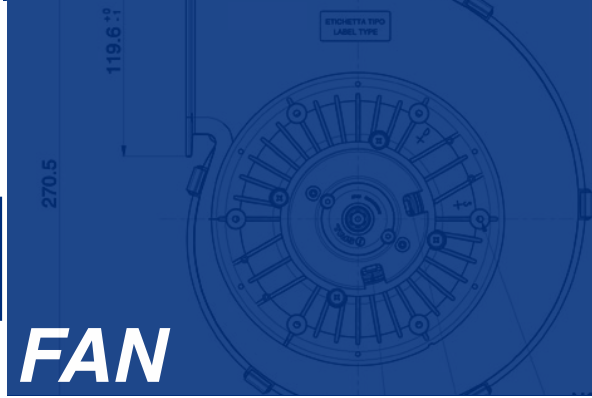
DRAW	MAO / MFA	CLIENT	UNIVERSITI SAINS MALAYSIA
CHECKED	SSA	DWG NO	FDS LVT 200-250
DATE	Dec 1, 2012	MODEL	LVT 200-250

**LEVTECH**

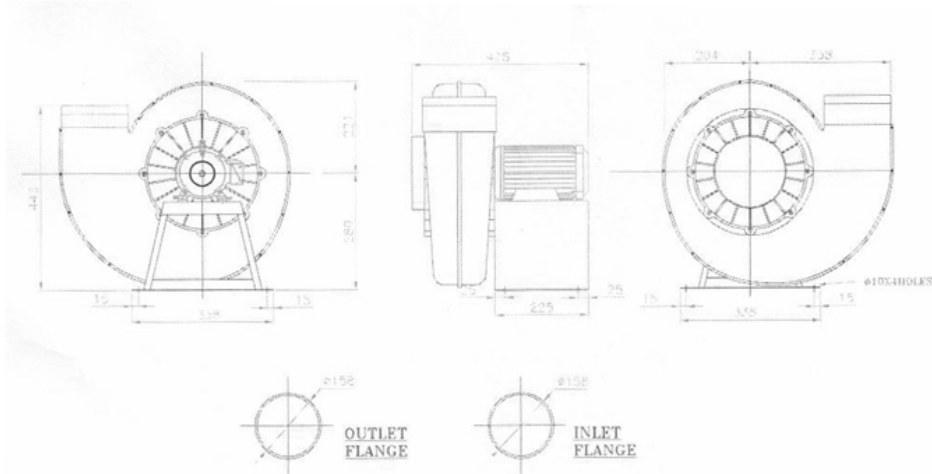
NO 18, LORONG IDAMAN 2/6, TAMAN IDAMAN, 14100 SIMPANG AMPAT, PULAU PINANG, MALAYSIA.

# LEVTECH

## CENTRIFUGAL FAN



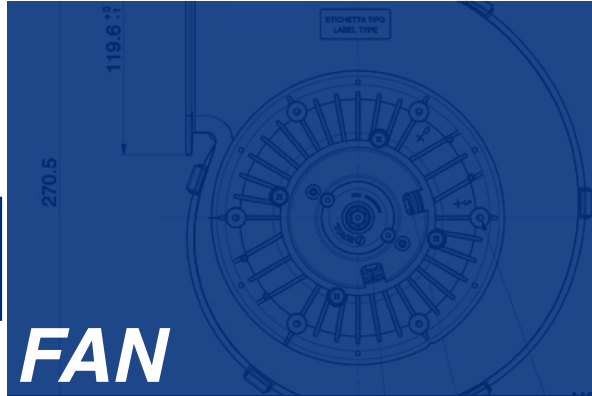
### LEVTECH FAN DATA SHEET



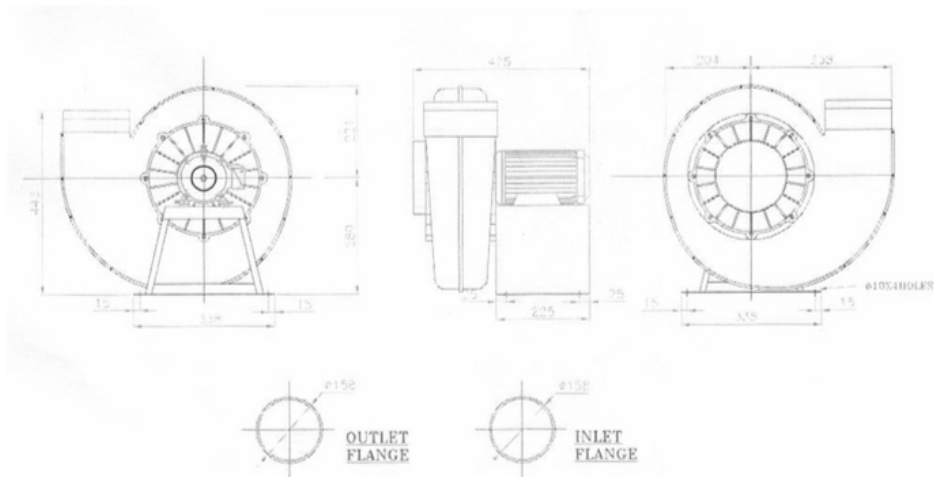
CONSTRUCTION				<b>LVT 200-280</b>	
CASING	IMPELLER	FRAME	SHAFT		
FRP	PP	M. STEEL	-		
COATING : -					
PERFORMANCE				MOTOR	
Capacity	: 1200 cfm	ELEV	: Sea Level	MODEL	: MS802-4
Static Pressure	: 1.5" w.g	DIR	: Top Horizontal	SPEED	: 1400
OPRPM	: 1390	Running Amp	:	RATED HP/AMP	: 1.5kw / 2.01~1.84 A
Rotation	: CW 360			CLASS	F / 1P 55
Temp	: Ambient			POWER SUPPLY	415 / 3 / 50Hz
DRAW	MAO / MFA	CLIENT	UNIVERSITI SAINS MALAYSIA		<b>LEVTECH</b>
CHECKED	SSA	DWG NO	FDS LVT 200-280		
DATE	Dec 1, 2012	MODEL	LVT 200-280		
NO 18, LORONG IDAMAN 2/6, TAMAN IDAMAN, 14100 SIMPANG AMPAT, PULAU PINANG, MALAYSIA.					

# LEVTECH

## CENTRIFUGAL FAN



### LEVTECH FAN DATA SHEET



CONSTRUCTION			
CASING	IMPELLER	FRAME	SHAFT
FRP	PP	M. STEEL	-
COATING :	-		

**LVT 250-280**

PERFORMANCE	
Capacity : 2000 cfm	ELEV : Sea Level
Static Pressure : 1.5" w.g	DIR : Top Horizontal
OPRPM : 1390	Running Amp :
Rotation : CW 360	
Temp : Ambient	

MOTOR	
MODEL	: MS802-4
SPEED	: 1400
RATED HP/AMP	: 1.5kw / 2.01~1.84 A
CLASS	F / 1P 55
POWER SUPPLY	415 / 3 / 50Hz

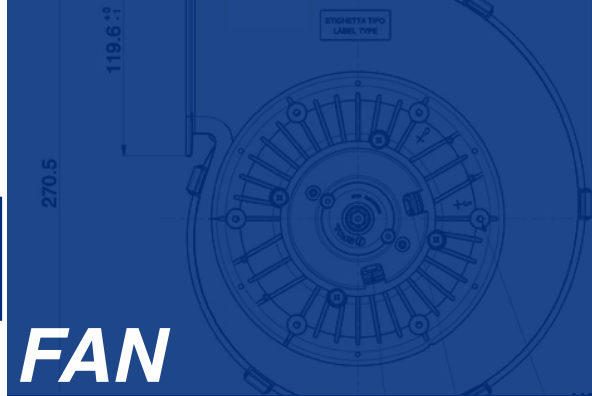
DRAW	MAO / MFA	CLIENT	UNIVERSITI SAINS MALAYSIA
CHECKED	SSA	DWG NO	FDS LVT 250-280
DATE	Dec 1, 2012	MODEL	LVT 250-280

**LEVTECH**

NO 18, LORONG IDAMAN 2/6, TAMAN IDAMAN, 14100 SIMPANG AMPAT, PULAU PINANG, MALAYSIA.

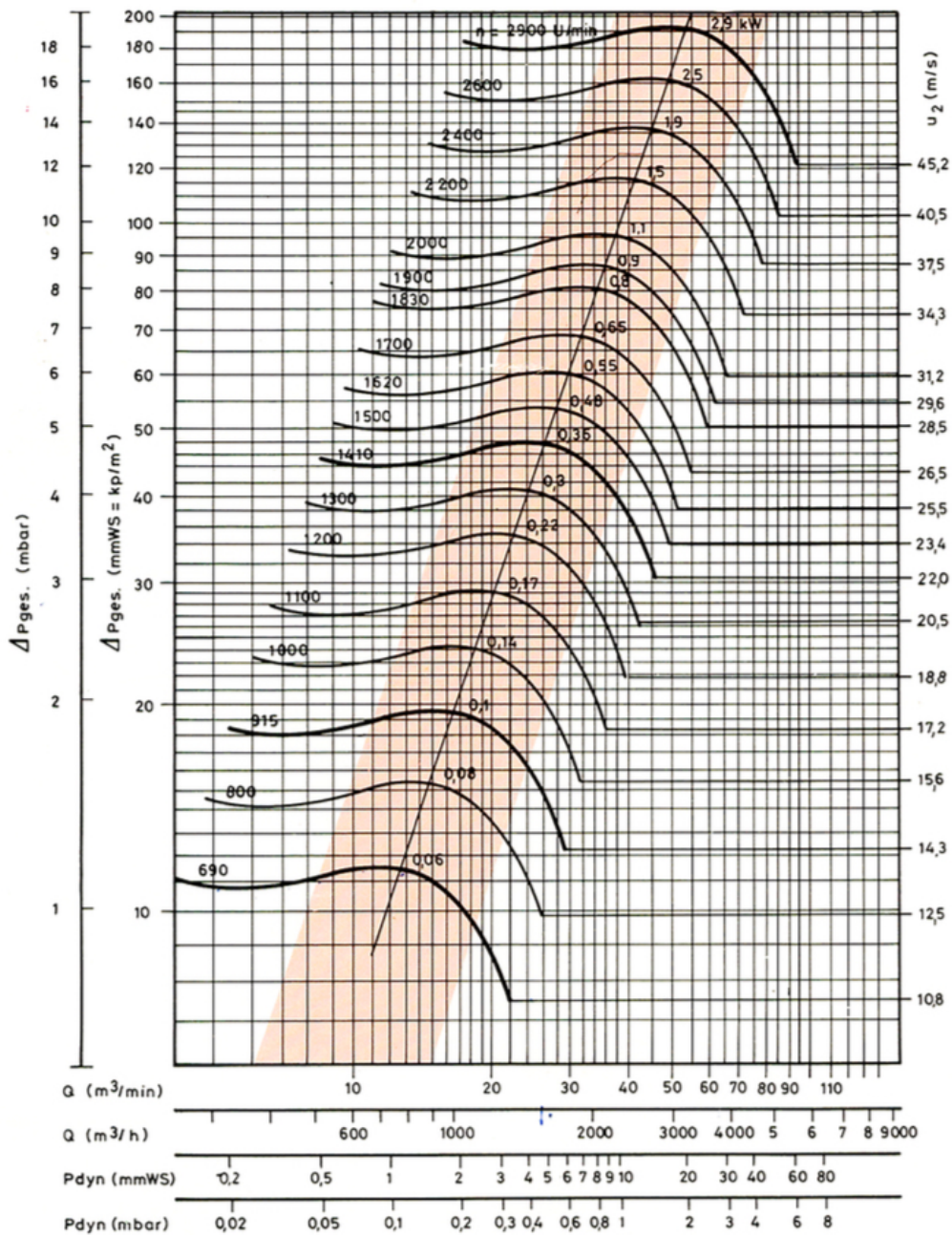
# LEVTECH

## CENTRIFUGAL FAN



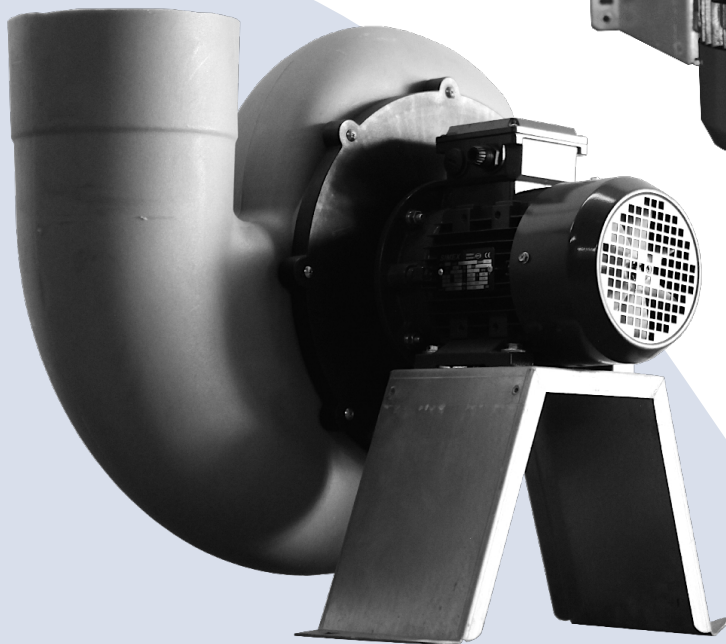
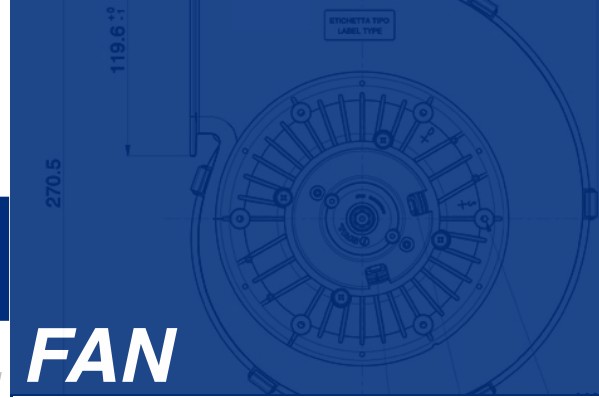
### FAN CURVE

1 mbar (Millibar) = 100 N/m<sup>2</sup> (Newton-Meter) = 100 Pa (Pascal)  
 1 mm WS = 0,09807 mbar (Millibar)



# LEVTECH

CENTRIFUGAL FAN



## Other Product & Services Available

### LEVTECH SDN. BHD. (760493-M)

No. 18, Lorong Idaman 2/6,  
Taman Idaman,  
14100 Simpang Ampat (S.P.S)  
Pulau Pinang, Malaysia.  
Tel / Fax : 04 - 240 8151  
Email : fikri\_levtech@yahoo.com.my  
Mohamad Fikri B. Mohamad Ariff (H/p : 017 - 660 3151)  
www.levsb.com  
GST No : 000095789056

*Chemical Resistant Centrifugal Fan  
Wash Demist (Fume Scrubber System)  
Chemical Resistant Plumbing System  
Laboratory Furniture System  
Modified Epoxy Polyester Resin Worktop  
Phenolic Resin Worktop  
Laboratory Gas and Water Fittings  
Emergency/Eye Shower System  
Fumecupboard Repair and Maintenance Services  
Laboratory Design Consultancy  
Hygiene Industrial II Inspection  
Local Exhaust Ventilation System Inspection*

**[www.levsb.com](http://www.levsb.com)**